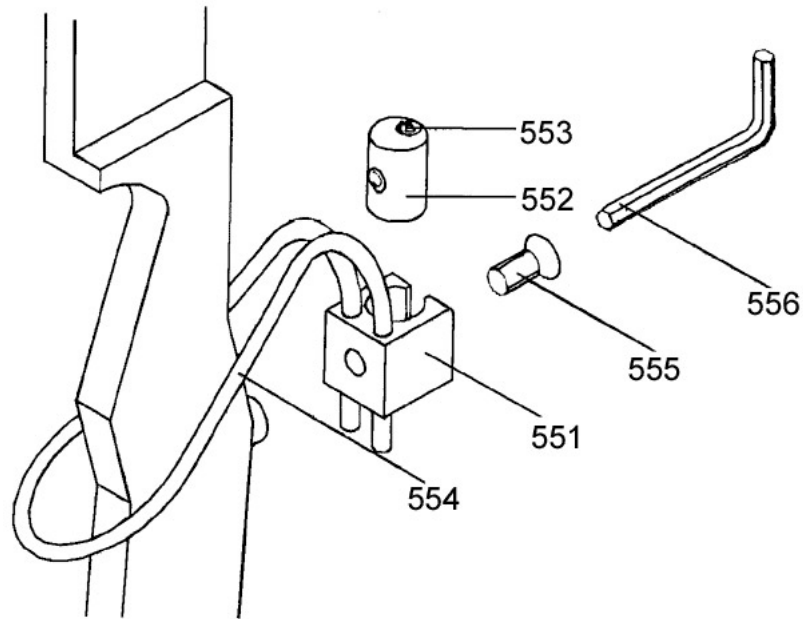
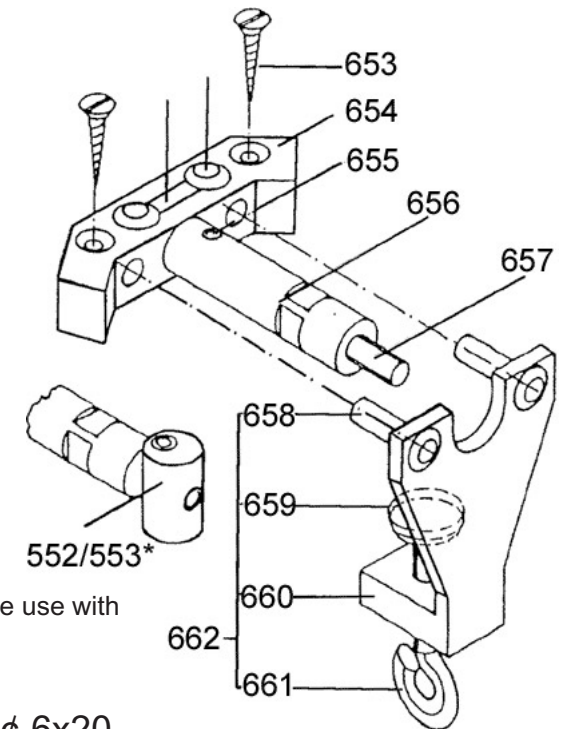


# AGF-Quick Fix



- AGF- 551 Part for position
- AGF- 552 Part for fastening
- AGF- 553 Screw
- AGF- 554 Cord
- AGF- 555 Central screw
- AGF- 556 Key SW5
- AGF- 557 Key SW4

# AGF-Bow Tool



\* additionally needed for the use with AGF-Quick Fix

- AGF- 651 Bolt  $\phi$  6x20
- AGF- 652 Screw M8x16
- AGF- 653 Screw  $\phi$  6x40
- AGF- 654 Basic part
- AGF- 655 Screw M6x6
- AGF- 656 Tube
- AGF- 657 Axle
- AGF- 658 Screw M8x25
- AGF- 659 Plastic cap
- AGF- 660 Clamp
- AGF- 661 Ring screw