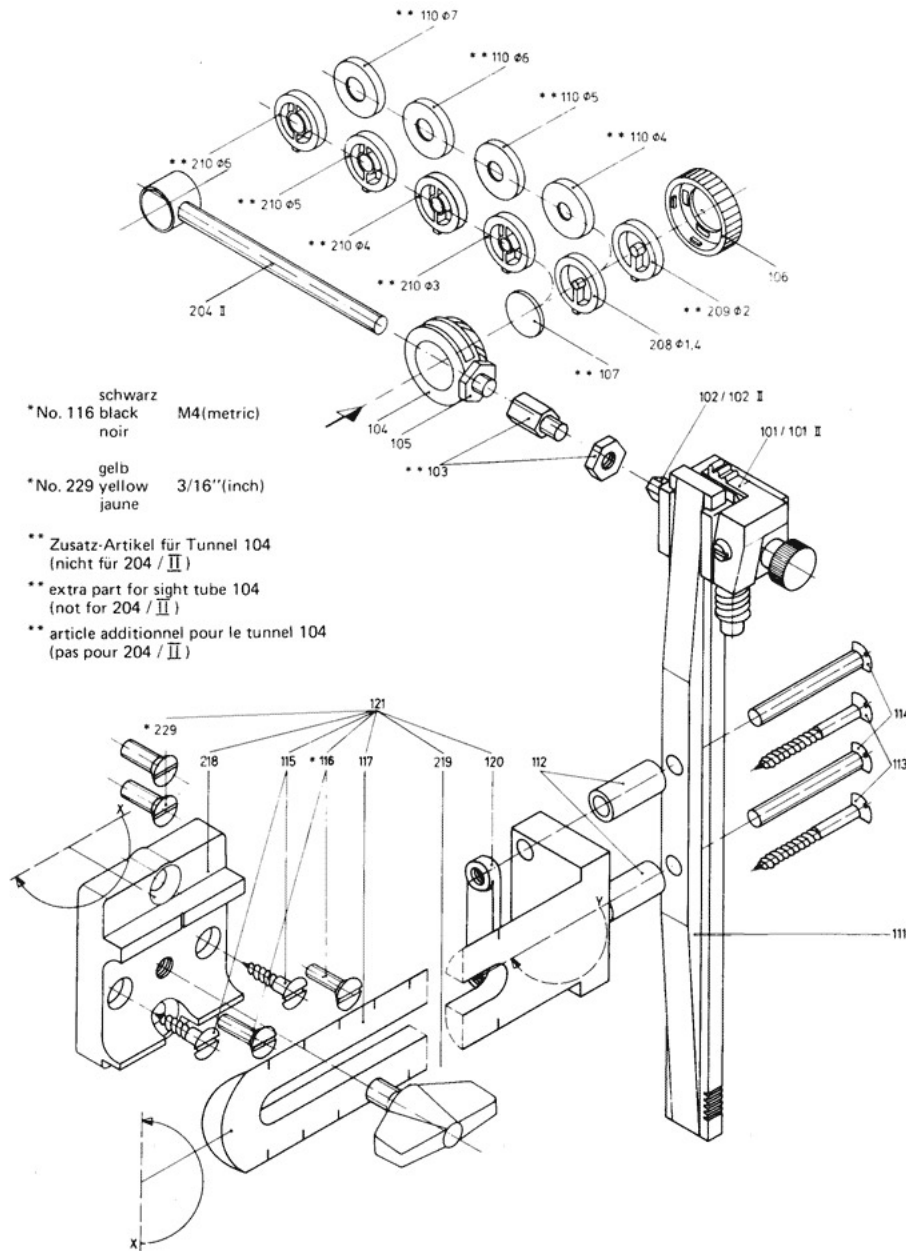


# AGF-ZGV



- AGF- 101 Slide block complete with 102
- AGF- 101/II Slide block complete with 102/II
- AGF- 102 Six-edge part
- AGF- 102/II Six-edge part, short
- AGF- 103 Extension piece incl. nut
- AGF- 104 Sight tube
- AGF- 204/II Ring pin, screw 70 mm long
- AGF- 105 Nut
- AGF- 106 Sight tube nut
- AGF- 107 Yellow lens screen
- AGF- 208 Sight point  $\phi$ 1.4
- AGF- 209 Sight point  $\phi$  2.0
- AGF- 110 Sight ring  $\phi$  4/5/6/7
- AGF- 210 Sight ring  $\phi$  3/4/5/6
- AGF- 111 Sight bar
- AGF- 112 Distance tube
- AGF- 113 Wood screws long
- AGF- 114 Metal screws long
- AGF- 115 Wood screws short
- AGF- 116 Metal screws short M4
- AGF- 117 Extension arm
- AGF- 218 Side mount block
- AGF- 219 Side mount wing screw
- AGF- 120 Nut plate
- AGF- 121 Extension arm complete
- AGF- 229 Metal screws inch 3/16"