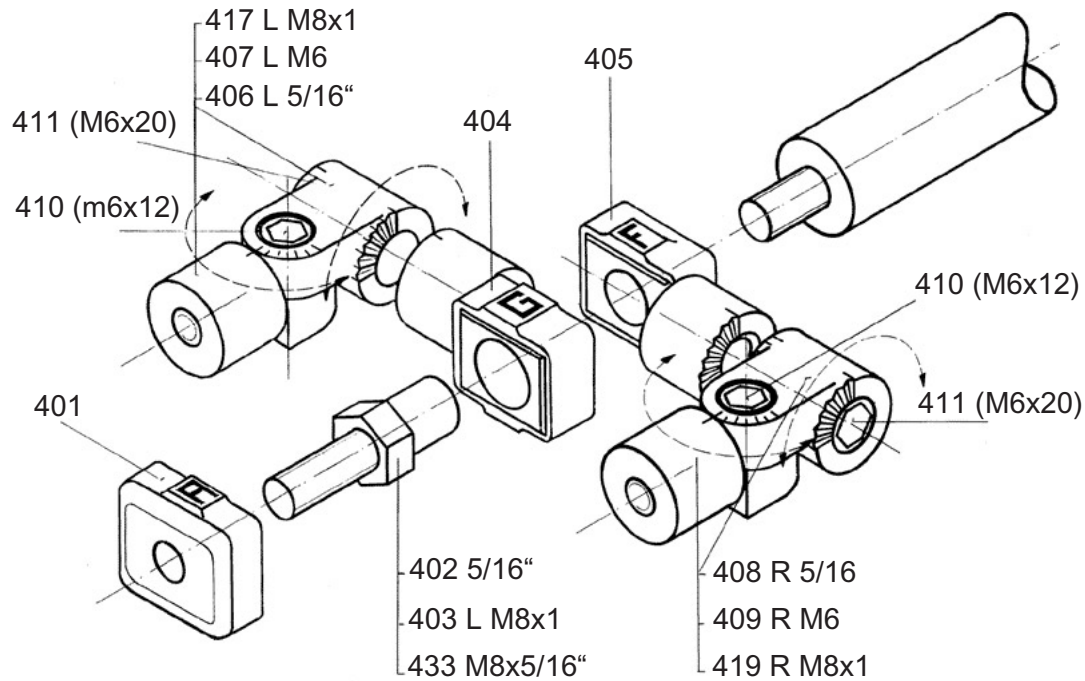


AGF-V-Bar



- AGF- 401 A-part
- AGF- 402 Central screw 5/16"
- AGF- 403 Central screw M8x1
- AGF- 404 G-part
- AGF- 405 F-part
- AGF- 406 Articulation left 5/16"
- AGF- 407 Articulation left M6
- AGF- 408 Articulation right 5/16"
- AGF- 409 Articulation right M6
- AGF- 410 Screw with nut (M6x12)
- AGF- 411 Screw with nut (M6x22)
- AGF- 417 Articulation left M8x1
- AGF- 419 Articulation right M8x1
- AGF- 430 Screw C = M6x40
- AGF- 431 Screw D 414 = 5/16"
- AGF- 432 Screw D 415 = M8x1
- AGF- 433 Central screw M8-5/16" special