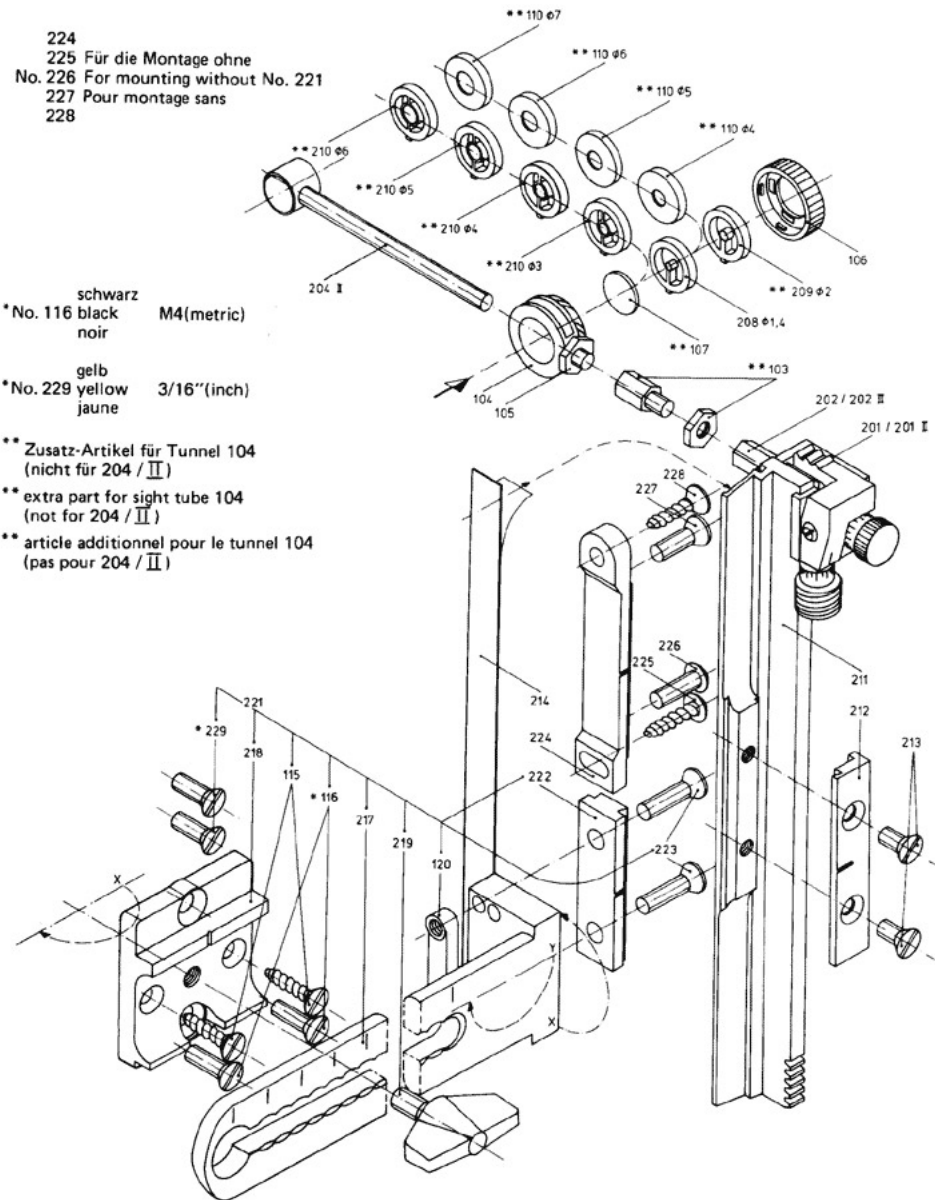


# AGF-TOP



- AGF- 201 Slide block complete with 202
- AGF- 201/II Slide block complete with 202/II
- AGF- 202 Six-edge part
- AGF- 202/II Six-edge part, short
- AGF- 103 Extension piece incl. nut
- AGF- 104 Sight tube
- AGF- 204/II Ring pin, screw 70 mm long
- AGF- 105 Nut
- AGF- 106 Sight tube nut
- AGF- 107 Yellow lens screen
- AGF- 208 Sight point  $\phi 1.4$
- AGF- 209 Sight point  $\phi 2.0$
- AGF- 110 Sight ring  $\phi 4/5/6/7$
- AGF- 210 Sight ring  $\phi 3/4/5/6$
- AGF- 211 Sight bar black or red
- AGF- 212 Clamp plate
- AGF- 213 Screw
- AGF- 214 Writing strip
- AGF- 115 Wood screws short
- AGF- 116 Metal screws short M4
- AGF- 217 Extension arm
- AGF- 218 Side mount block
- AGF- 219 Side mount wing screw
- AGF- 120 Nut plate
- AGF- 221 Extension arm complete
- AGF- 222 Prism-fastening
- AGF- 223 Screw
- AGF- 224 Direct-fastening
- AGF- 225 Wood screw
- AGF- 226 Metal screw
- AGF- 227 Metal screw
- AGF- 228 Wood screw
- AGF- 229 Metal screw inch 3/16"  
Knob for 201