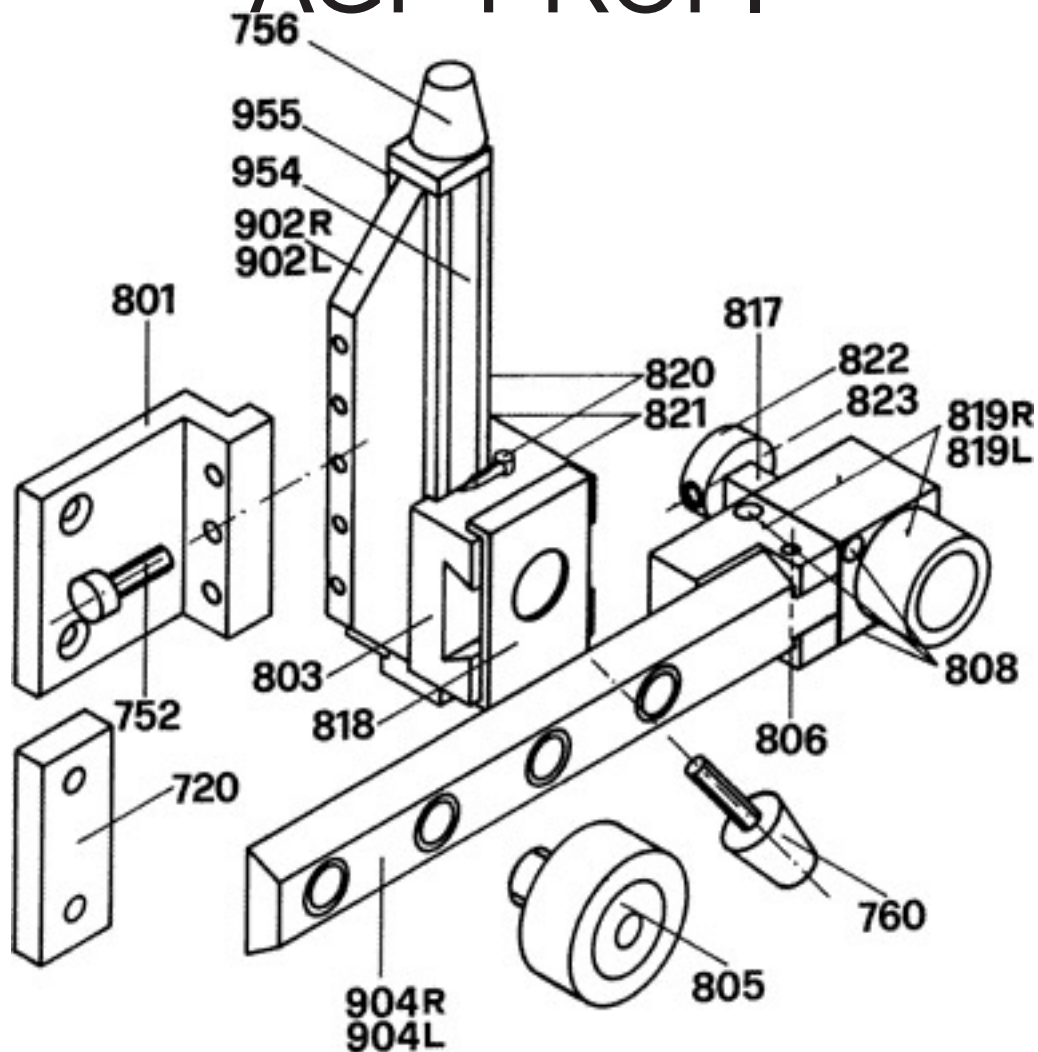


AGF-PROFI



- AGF- 801 Side mount
- AGF- 902R Worm bar RH
- AGF- 902L Worm bar LH
- AGF- 803 Adjustment unit vertical
- AGF- 904R Extension RH, 4-hole
- AGF- 904L Extension LH, 4-hole
- AGF- 805 Knob
- AGF- 806 Bolt
- AGF- 808 Adjusting screw M6x10
- AGF- 817 Sight ring traverse, 10/32"
- AGF- 818 Safety plate aluminium
- AGF- 819 Adjustment unit horizontal incl. 817
- AGF- 720 Side mount special incl two screws
- AGF- 820 Pointer one
- AGF- 821 Screw M6x8 for pointer
- AGF- 822 Clamp ring
- AGF- 823 Clamp screw M6x8
- AGF- 752 Screw M4x18
- AGF- 954 Scale
- AGF- 955 Writing strip
- AGF- 756 Knob
- AGF- 760 Locking screw
- AGF- 829 Fixing screw for 801, 3/16"

To adjust the level of the scope, the fixation screws must be loosened. Then the adjustment can be made by using the adjustment screws. After that the fixation screws have to be locked again. They are needed for additional stability.

WARNING:

When adjusting the fixation screws and the adjustment screws at the same time, there can be too much tension in the sight head. Always loosen the fixation screws first, then do the adjustment.

2. adjust the level with the adjustment screws.

1. loosen the fixation screws

3. lock the fixation screws

